

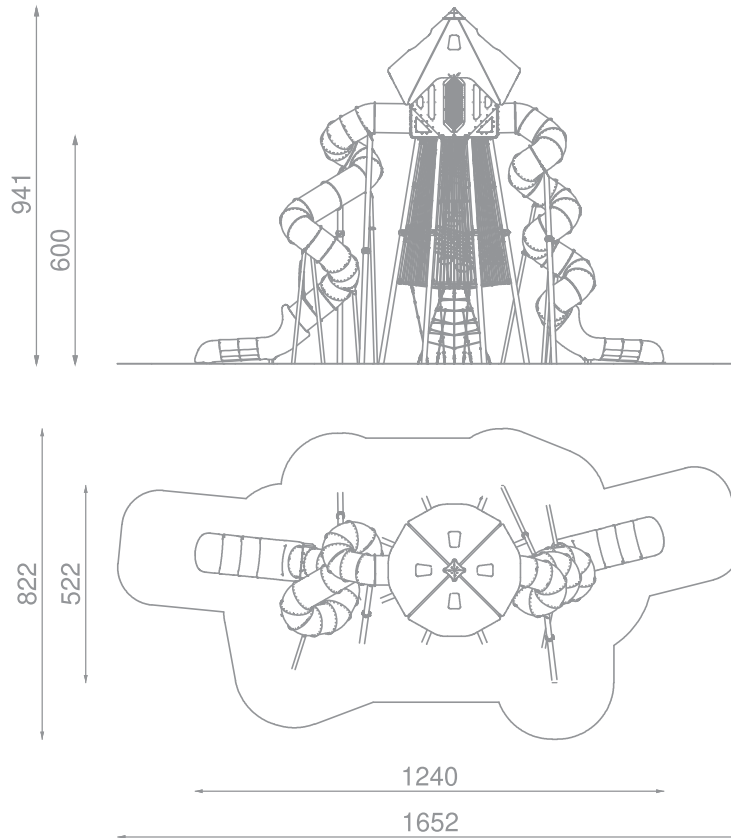
Information about the product

Dimensions	522 x 1240 cm
Safety zone	822 x 1652 cm
Safety zone area	90 m ²
Overall height	941 cm
Free fall height	216 cm
Amount of users	24
Product complies with EN 1176-1:2017-12	Yes
Availability of spare parts	Yes
Age range	3-12

According to EN 1176-1:2017-12 norm, the product requires applying a safety surface according to the product's free fall height.

Functions





SCALA 1:200

Materials



Multilayer sheets manufactured from reclaimed and recycled marine waste, such as fishing nets, ropes, and trawls. UV resistant.



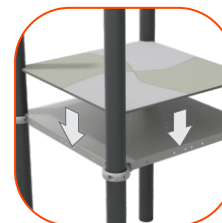
Slides and roofs made using the rotomoulding method with the utilization of biopolymers derived from sugarcane.



Solid construction: made of recycled steel IS235JR, powder galvanized and covered in powder coating paint. ϕ 133; 88,9 mm PIPES



Walls of the house are made of powder galvanized sheet metal coated in a protective layer of powder paint coating. Windows are made of transparent polycarbonate.



Platform: Steel sheet galvanized and covered with powder coating paint + HPL 6 mm

Let's Buglo

